



- Ideal for retrofit installations
- Ultra economical “Listen-in station”
- Fits existing legacy Valet intercom cutouts
- Simple operation - hear music, chime or voice calls
- Simple functions - Audio is either On or Off

R210 Lite Room Station

Installation & Operation Manual

SYSTEM OPTIONS

EXAMPLE 1

Replacing a legacy INTERCOM SYSTEM such as VM1050, VM1200 or VM2000 With a Master Station



Equipment List - NON VIDEO SYSTEM

Part No.	Description	Qty
106-910	M250 Master Station Traditional size Non-video with DAB+ Digital Radio	1
106-920	R210 Lite Room Station	Up to 8
100-936 100-937	Door Station Bronze or Door Station Silver	1
101-265	ELK800 Audio Amplifier	1
840-015	13.8VDC 5A Power Supply	1

The R210 Lite Room Stations will hear any audio playing on the master station and audio between the door station and master (if the On/Off switch is on).

Equipment List - VIDEO SYSTEM

Part No.	Description	Qty
106-911	M250 Master Station Traditional size With video & DAB+ Digital Radio	1
106-920	R210 Lite Room Station	Up to 8
100-938 100-939	Video Door Station Bronze or Video Door Station Silver	1
101-265	ELK800 Audio Amplifier	1
840-015	13.8VDC 5A Power Supply	1

Note, of course video from the door station is viewable only at the master station. The R210 Lite Room Stations will hear any audio playing on the master station and audio between the door station and master (if the On/Off switch is on).

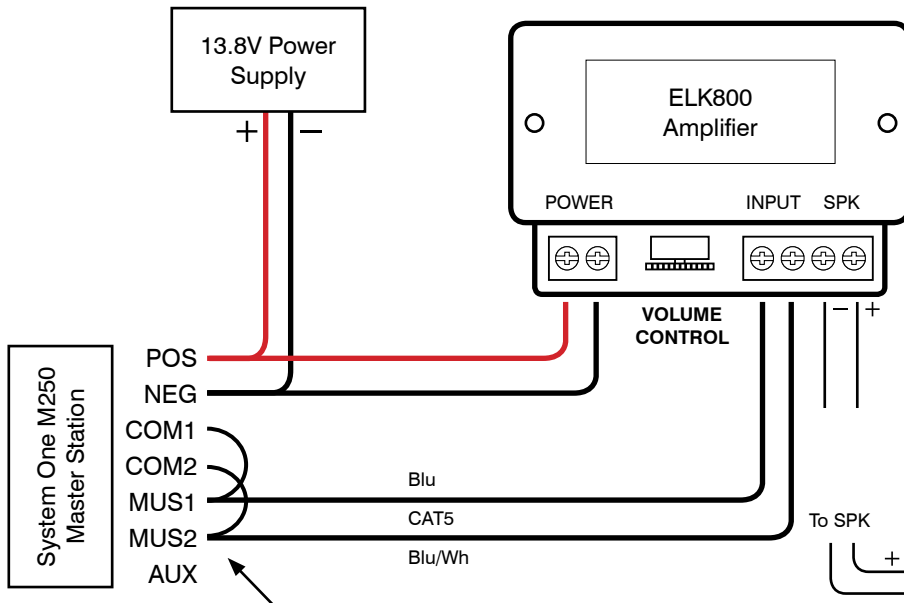
EXAMPLE 2

Replacing legacy ROOM STATIONS only, or... "Filling The Holes"

In this case, if there's no Master Station to replace, R210 Lite Room Stations can replace old room stations and optionally can play music/audio from your own audio source. The audio output from a radio or HiFi system can easily be adapted to feed into the ELK800 Audio Amplifier and deliver sound to multiple Lite Room Stations.



WIRING



AMPLIFIER LOCATION
The amplifier can be installed inside the Master Station

SPEAKER POLARITY
ELK800 Amplifier Power, Input and Speaker outputs are non-polarity, however it's good practice to maintain the same polarity for all the R210 Lite Room Stations, otherwise two adjacent room stations may sound 'out of phase' if both are playing.

For the Lite room stations to hear all system audio (comms, chime and music).

- Connect COM1 to MUS1 and COM2 to MUS2.
- NON-VIDEO MASTER remains in 8-wire mode (default). or if using a VIDEO MASTER*, must be programmed for 6-wire mode.

SPEAKER WIRE

Use any two wires of the existing intercom wiring. If the wires are low quality or thin gauge it's best to double up two pairs.

WIRING CONFIGURATION

R210 Lite Room Stations can be daisy-chain or star-wired to the amplifier. Up to 8 Room Stations max.

VOLUME CONTROL

(Master volume control on the amplifier)
Since the amplifier is installed inside the master station, the volume setting is set-and-forget.
Test the volume on a favourite radio station before closing the master.

AUDIO ON/OFF

(At each individual room station)
R210 Lite Room Stations have a single On/Off switch on the fascia.
Turn on to hear any audio playing at the master station.



System One R210 Lite Room Stations, 8 max.

IF USING A SYSTEM ONE M200/M250 VIDEO MASTER

*VIDEO MASTER PROGRAMMING

To program the master station for 6-wire operation:

- Press PRIV and MON buttons at the same time to enter program mode
- The GENERAL OPTIONS menu should appear on the video screen
- Arrow down to "8 WIRE" (using LOCK button)
- Press the VOLUME + button to change from "8 WIRE" to "6 WIRE"
- Press CLEAR to exit program mode

*Normally, the master is left at default station number (#1)

iCentralTM

Intelligent Central Systems

Trade sales
www.ness.com.au

Retail sales
www.valet.com.au

Sales, Service, Spares consumer enquiries
Ph 1300 050 333
sales@icentralsystems.com.au



iCENTRAL TRADE & DEALER ENQUIRIES

HEAD OFFICE
Ness Corporation Pty Ltd
ABN 28 069 984 372
Ph +61 2 8825 9222 Fax +61 2 9674 2520
sales@icentralsystems.com.au

www.ness.com.au

106-920 R210 Video Room Station White
Manual Rev1.0
Document Part No. 890-xxx



Note: DAB+ digital radio broadcasts may not be available in all areas.

COPYRIGHT NOTICE

All rights reserved. No part of this publication may be reproduced, transmitted or stored in a retrieval system in any form or by any means, electronic, mechanical, photocopying, recording, or otherwise, without the prior written permission of Ness.

Ness reserves the right to make changes to features and specifications at any time without prior notification in the interest of ongoing product development and improvement.

© 2024 Ness Corporation ABN 28 069 984 372